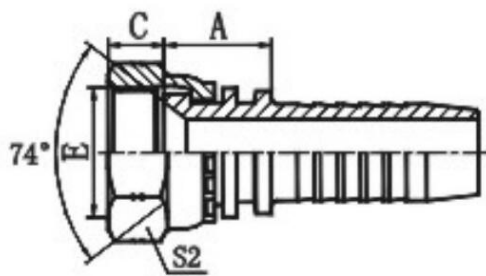




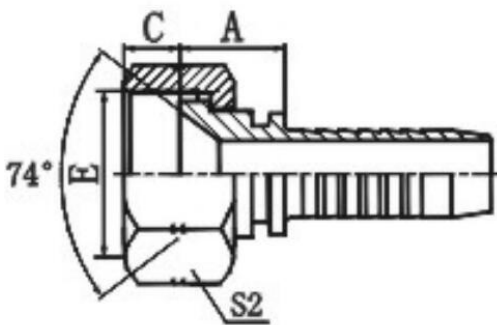
HYDRAULIC HOSE FITTINGS



26711 JIC FEMALE 74 DEGREE CONE SEAT



26711



26711-T

Part No.	THREAD E	HOSE BORE		DIMENSIONS		
		DN	DASH	A	C	S2
26711-04-03	7/16"x20	5	03	14.5	9	15
26711-04-04	7/16"x20	6	04	15	9	15
26711-05-04	1/2"x20	6	04	15.5	9.5	17
26711-05-05	1/2"x20	8	05	15.5	9.5	17
26711-05-06	1/2"x20	10	06	15.5	9.5	17
26711-06-04	9/16"x18	6	04	15.5	10.5	19
26711-06-05	9/16"x18	8	05	15.5	10.5	19
26711-06-06	9/16"x18	10	06	15.5	10.5	19
26711-06-08	9/16"x18	12	08	16	10.5	19
26711-08-06	3/4"x16	10	06	17.5	11	24
26711-08-08	3/4"x16	12	08	18	11	24
26711-08-10	3/4"x16	16	10	19.5	11	24
26711-10-08	7/8"x14	12	08	18.5	13	27
26711-10-10	7/8"x14	16	10	20	13	27
26711-10-12	7/8"x14	20	12	20	13	27
26711-12-08T	1.1/16"x12	12	08	19	15	32
26711-12-10	1.1/16"x12	16	10	21.5	15	32
26711-12-12	1.1/16"x12	20	12	21.5	15	32
26711-12-16	1.1/16"x12	25	16	23	15	32
26711-14-12	1.3/16"x12	20	12	21.5	15	36
26711-16-12T	1.5/16"x12	20	12	18.5	16	41
26711-16-16	1.5/16"x12	25	16	23	16	41
26711-16-20	1.5/16"x12	32	20	24	16	41
26711-20-16T	1.5/8"x12	25	16	23	17	50
26711-20-20W	1.5/8"x12	32	20	26	17	50
26711-24-20W	1.7/8"x12	32	20	26.5	20	55
26711-24-24W	1.7/8"x12	40	24	26.5	20	55
26711-32-20T	2.1/2"x12	32	20	27	23.5	75
26711-32-32T	2.1/2"x12	50	32	27	23.5	75